

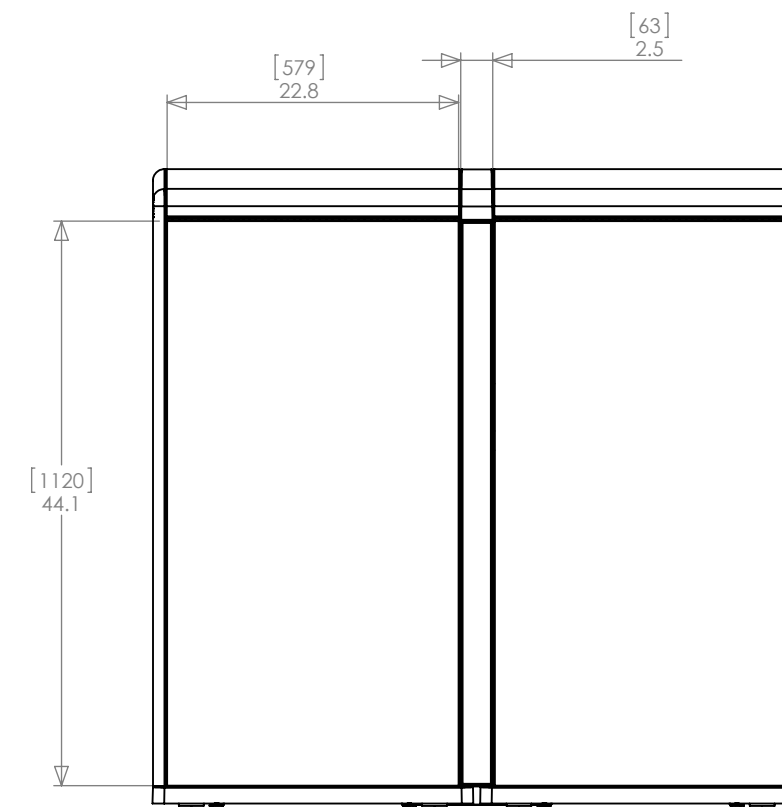
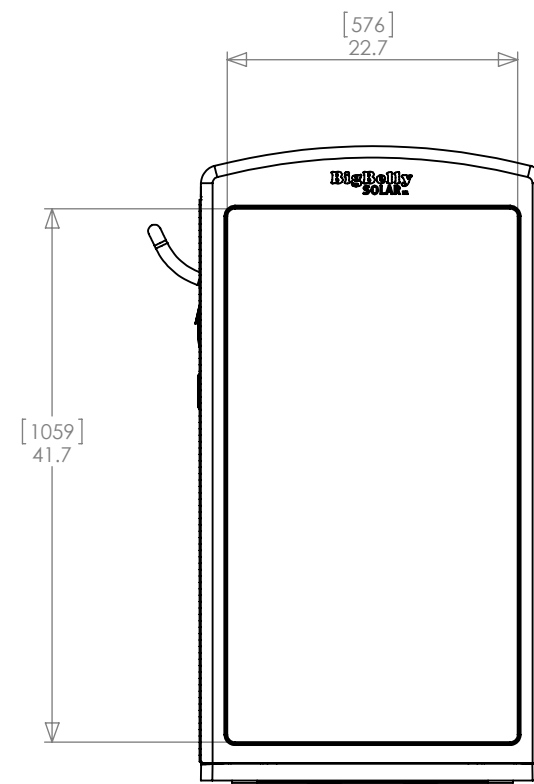
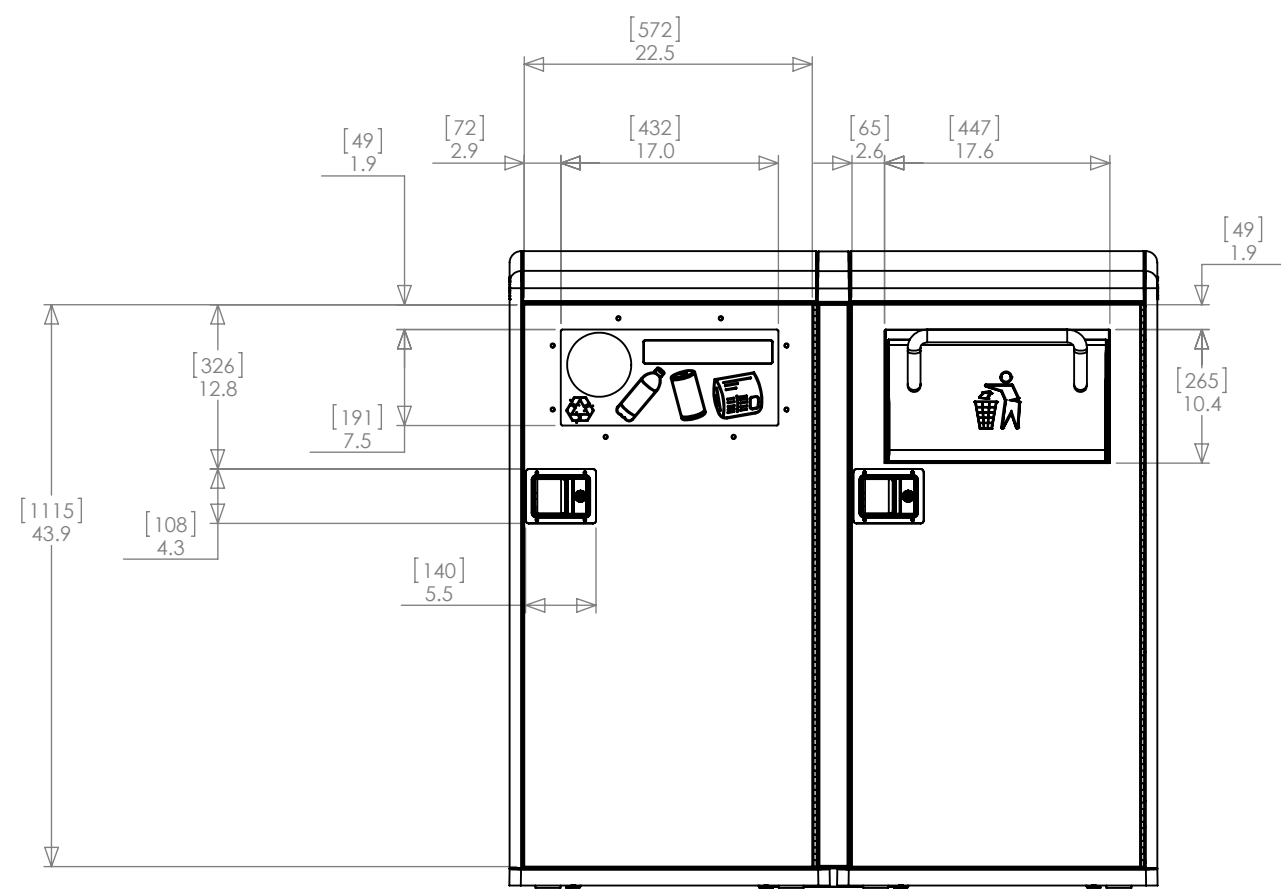
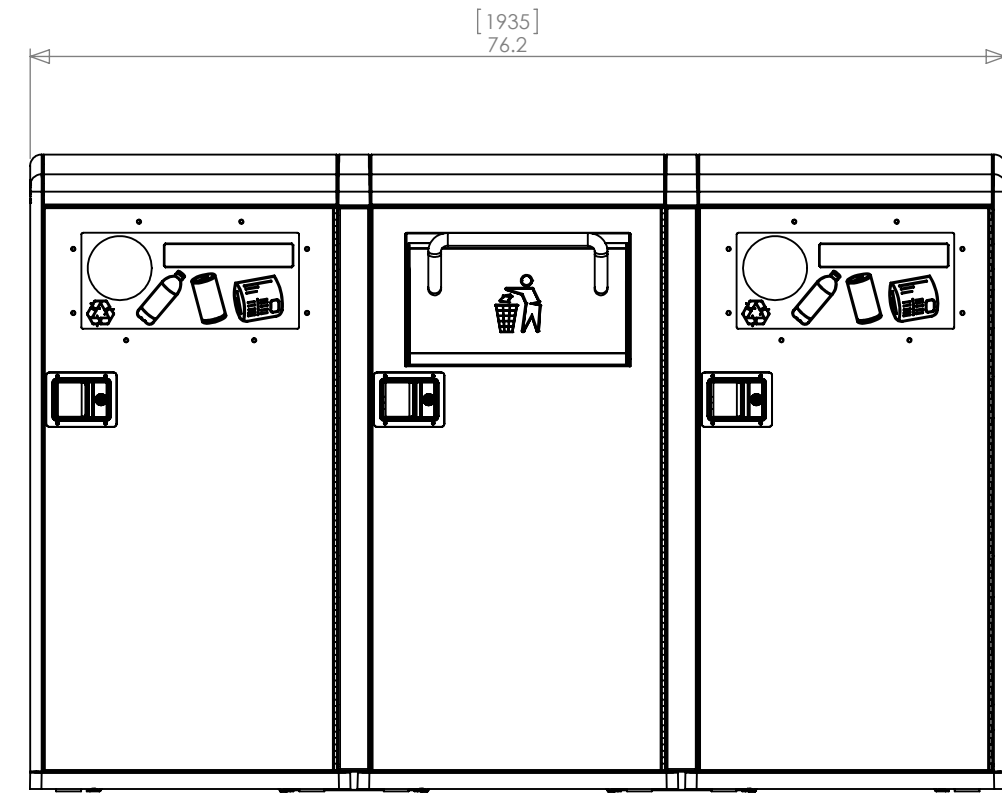
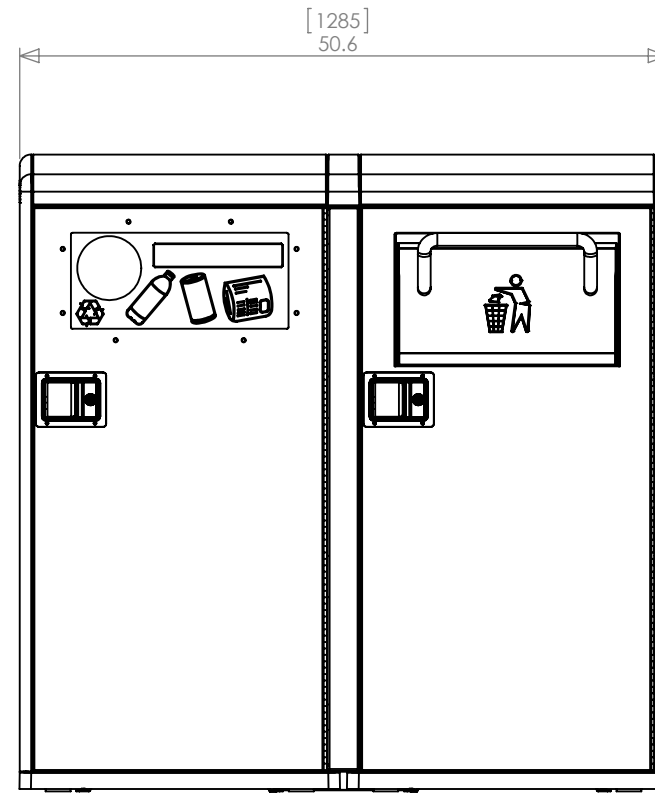
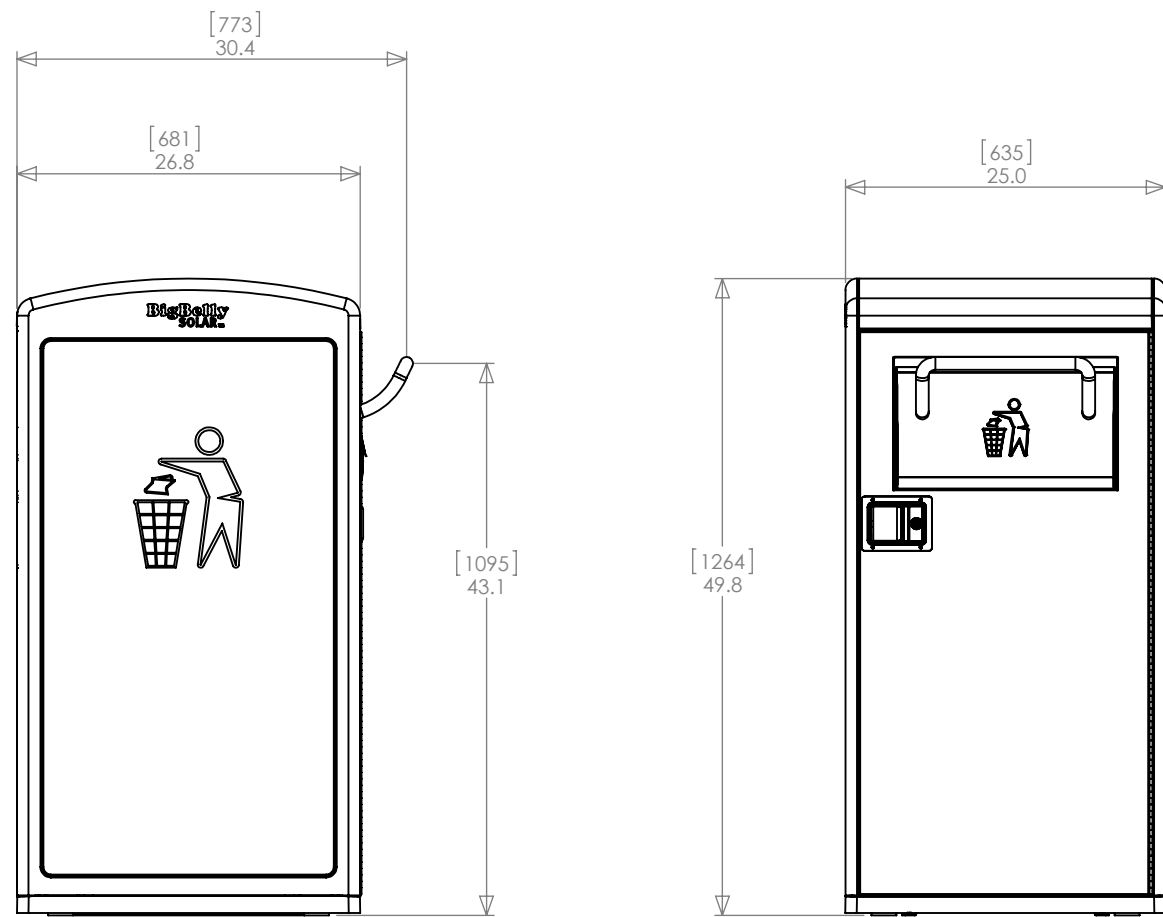
4

3

2

1

REVISIONS			
REV.	DESCRIPTION	DATE	BY



ALL DIMENSIONS ARE IN INCHES- INTERPRET DRAWING PER ASME Y14.5 -1994

TOLERANCES UNLESS OTHERWISE SPECIFIED:
 X.X ± .03 $\angle \pm .5^\circ$
 X.XX ± .01
 X.XXX ± .005 $\nabla 63$

REMOVE ALL BURRS AND SHARP EDGES .005R OR CHAMFER MAX

APPROVED	DATE
PREP BY	
CHECKED	
RESP ENG	
MFG ENG	
QUAL ENG	
◆ = (CRITICAL DIMENSION)	

BIGBELLY SOLAR
 85 WELLS AVE, SUITE 305
 NEWTON, MA 02459
 WWW.BIGBELLYSOLAR.COM

BB5 SPEC DIMENSIONS

SIZE	PART NO.	PART REV
C	SPECBBS0003	1
SCALE	1:15	WT
SHEET	1	OF 1

4

3

2

1

↑

1